

**Aeon Series  
AEP113**

**Features**

This combination aluminum and glass mono-point pendant is 10" tall and includes a 6' black easily adjustable cord with a twist lock strain relief. Glass can be raised for easy re-lamping. White frosted hand blown glass diffuser has metal trimmed open bottom. Product can be used in counter areas, restaurants and public spaces. Canopy mounts to standard junction box (not included).

**Construction**

Cone fitter is 20-gauge spun aluminum. Glass is supported with an internal 18-gauge steel web. Canopy 5 1/2" in diameter and fits over a standard junction box and is retained with two screws. Power supply connections must be made inside a junction box (not included).

**Finish**

All exposed metal parts are plated satin aluminum with clear lacquer topcoat.

**Diffuser**

Diffuser is .156" thick hand-blown frosted white.

**Electrical**

This unit is wired with a line voltage socket for 1/13 watt self-ballasted spring lamp GU24 base; 120V/60 Hz AC operation.

**Lamping**

For use with 1/13 watt self ballasted 2700K spring lamp included.

**Certification**

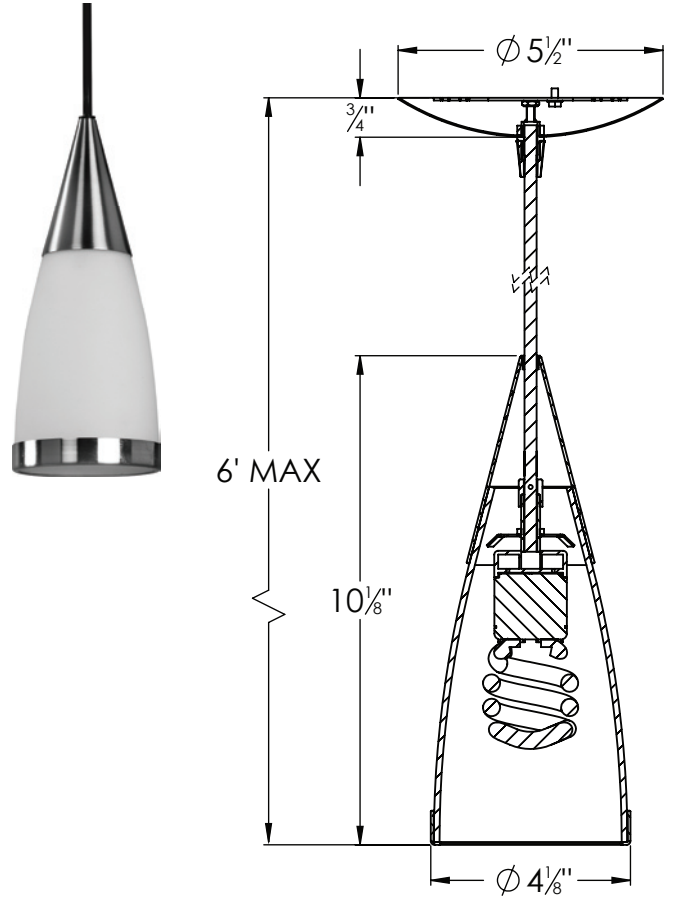
All fixtures are cULus listed for damp locations.

**Options**

Dimming  
ENERGY STAR qualified

Specifications and dimensions  
subject to change without notice.

Project		Fixture Type
Location		Quantity
Approved By	Date	Catalog Number



**Ordering Information:**

Model No.	Finish	Voltage	Lamps		Dimensions	
			Qty	Lamp	H	DIA
AEP113SASCT	Satin Aluminum	120V	1	13W MAX GU24 SELF-BALLAST CFL	10-1/8"	4-1/8"