

**Aria Series  
ARMF1F13**

**Features**

This product offers contemporary and clean styling in an outdoor wet location flush mount fixture that is fully gasketed. Fixture has a 7" diameter, meets ADA for wall mount applications, can be used under canopies or as a shower light. The aluminum die-cast housing has a threaded hand blown white glass diffuser screws in place for easy re-lamping. Fixture mounts to standard junction box (not included).

**Construction**

Housing is die-cast of .090" thick aluminum. Standard mounting holes and hardware are included. Power supply connections must be made inside a junction box (not included) or inside the housing.

**Finish**

All metal parts are plated satin nickel or applied oil-rubbed bronze. Both finishes include a clear topcoat.

**Diffuser**

Diffuser is .120" thick hand-blown frosted glass in two color options: white with the satin nickel finish and tea stained with the bronze finish. Diffuser is threaded and screws into gasketed housing.

**Electrical**

This unit is wired with UL listed electronic normal power factor instant start ballast for 120V/60 Hz AC operation. Minimum starting temperature is 0 F.

**Lamping**

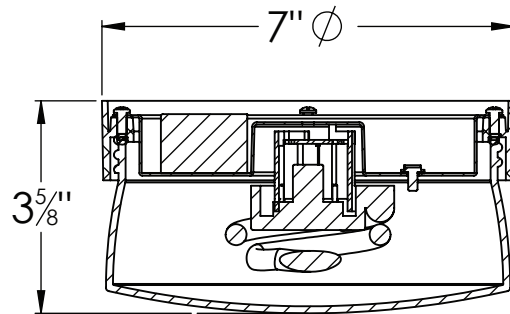
For use with 1/13 watt flat spiral compact fluorescent 2700K 4 pin lamp included.

**Certification**

All fixtures are cULus listed for wet locations.

Specifications and dimensions  
subject to change without notice.

Project		Fixture Type
Location		Quantity
Approved By	Date	Catalog Number



**Ordering Information:**

Model No.		Lamps		Dimensions	
Finish	120V	Qty	Lamp	H	DIA
Satin Nickel	ARMF1F13SNECT	1	13W FLATTENED CFQ 4 PIN	3-5/8"	7"
Finish	120V	Qty	Lamp	H	DIA
Oil-Rubbed Bronze	ARMF1F13RBECT	1	13W FLATTENED CFQ 4 PIN	3-5/8"	7"