

**Aria Series
ARPB313**

Features

This ceiling mount triple lamp linear contemporary glass pendant is 10.25" tall and includes (3) 6 ft. gray adjustable cords with a twist lock strain relief for easy adjustment. Glass can be raised for easy re-lamping and has an open bottom. Product can be used over receptions desks, restaurants, and in public spaces. Canopy mounts to standard junction box (not included).

Construction

Glass is mounted into a die cast fitter. Decorative cover has a radius surface and is 5" wide x 40.875" long. This unit fits over a standard junction box with a J-box cover plate. Standard mounting holes and hardware are included. Power supply connections can be made inside the unit or inside a junction box (not included).

Finish

All exposed metal parts are plated satin nickel with clear lacquer topcoat.

Diffuser

Diffuser is .090" thick frosted hand-blown case glass secured into a die cast fitter with two screws.

Electrical

This unit is wired with UL listed electronic normal power factor socket ballast for 120V/60 Hz AC operation.

Lamping

For use with 1/13 watt compact fluorescent 4 pin quad lamp; supplied by others.

Certification

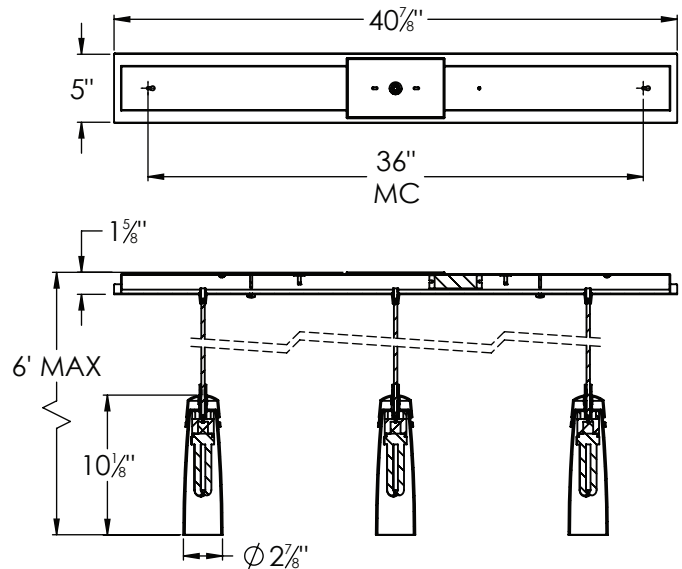
All fixtures are cULus listed for damp locations.

Options

ENERGY STAR qualified when ordered with 120V ballast and lamp

Specifications and dimensions
subject to change without notice.

Project		Fixture Type
Location		Quantity
Approved By	Date	Catalog Number



Ordering Information:

Model No.	Lamps		Dimensions		
	120V	Qty Lamp	H	W	L
Satin Nickel	ARPB313SNEC	3 13W CFQ 4 PIN	10-1/8"	2-7/8"	40-7/8"