

**Cirrus Series**  
**C2022/2032/2054/2072**

**Features**

Round floating cloud ceiling mount fixture available in three diameters and can be used in various applications including corridors, baths and public spaces. Fixture mounts to standard junction box (not included).

**Construction**

Housing is die-formed of 22-gauge steel. Standard mounting holes and hardware are included. Power supply connections must be made inside a junction box (not included).

**Finish**

Back plate is finished in lighting grade white baked gloss enamel paint.

**Diffuser**

Diffuser is .080" thick vacuum formed smooth white acrylic that is secured by three plastic latches.

**Electrical**

This unit is wired with UL listed electronic normal power factor ballast for 120V/60 Hz AC operation.

**Lamping**

Circline lamps are included with this fixture series. Color temperature is 4100K.

**Certification**

All fixtures are cULus listed for damp locations.

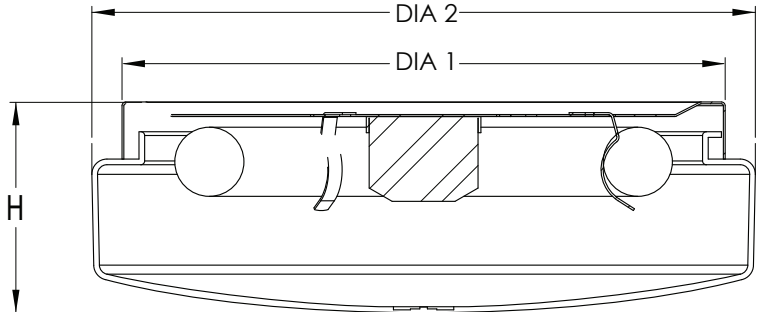
**Options**

120-277V HPF  
13, 18 and 26 watt CFQ lamping options  
ENERGY STAR qualified

For photometric information, consult factory.

**Specifications and dimensions**  
subject to change without notice.

Project		Fixture Type
Location		Quantity
Approved By	Date	Catalog Number



**Ordering Information:**

Model No.		Lamps		Dimensions		
120V	Finish	Qty	Type	H	DIA 1	DIA 2
C2022ET	White	1	FC8T9 22W	2-7/8"	10"	11"
C2032ET	White	1	FC12T9 32W	3-1/8"	13"	14"
C2054ET	White	2	(1) FC8T9 22W & (1) FC12T9 32W	3-1/8"	13"	14"
C2072ET	White	2	(1) FC12T9 32W & (1) FC16T9 40W	3-1/8"	18-3/8"	19-3/8"