

Safety Precautions

Read all safety precautions and installation instructions carefully before installing or servicing this fixture. Failure to comply with these instructions could result in potentially fatal electric shock and/or property damage.

It is recommended that a qualified electrician perform all wiring. This fixture must be wired in accordance with all national and local electrical codes.

Do not handle an energized fixture or attempt to energize any fixture with wet hands or while standing on a wet or damp surface or in water.

This fixture is designed for use in a 120-277VAC, 60Hz. Do not use on a dimming circuit.

To reduce the risk of electrical shock, and to assure proper operation, this fixture must be adequately grounded. To accomplish proper grounding, there must be a separate ground wire (green) or bare metal contact (metal conduit) between this fixture and the ground connection of your main power supply panel. A bare ground wire connector is provided and must be attached to your earth ground conductor. This fixture is to be used for general indoor lighting in dry locations.

Assembly Instructions

1. Preparing for installation

- A. **Disconnect electrical power** before installing or servicing any part of this fixture.
- B. Remove wire way cover by squeezing channel (1) sides.
- C. Remove the appropriate knockout(s) for power supply entry in channel (2).

2. Fixture mounting.

- A. To locate, hold channel (1) up to ceiling with power supply knockout located over entryway for power supply wires. Mark the locations of the mounting holes on the ceiling. Take the channel down and punch a small hole into the ceiling at each location using a nail or an awl to see if there is a wood joist. If there is a joist, use a suitable wood screw (not included) to mount the channel. Where no joist is available, use a toggle bolt (not included) of suitable length to mount channel securely to the ceiling. **Proceed to step B before final mounting.**
- B. Feed the black and white supply wires, and the green ground wire into the fixture through the open knockout hole. At this time you can finish mounting the channel (1) to the ceiling.

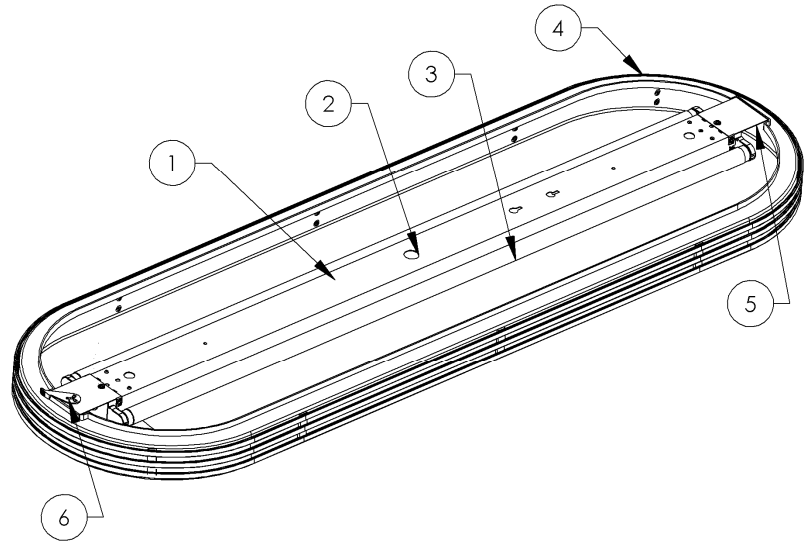
3. Wiring.

Caution: Make sure power is off at fuse or circuit breaker box. Check power wires for damage or scrapes. If power supply wires are within three inches of ballast use wire suitable for at least 90C (194F). **Note:** Most dwellings built before 1985 have supply wire rated to 60C. Consult a qualified electrician before installing.

- A. This unit will not operate properly unless connected to a “grounded” electrical circuit. Electrical shock, over heating, low or no light output, and shortened lamp life can result if proper grounding is not done. Securely attach green (or green and yellow) wire to provided green ground screw.
- B. Using luminaire disconnect (provided), insert white supply wire into the hole across from white ballast lead. Insert black hot supply wire into hole across from black ballast lead. **Do not mix wires.** Pull on each wire to make sure connections are secure. Make certain no bare wires are exposed outside of luminaire disconnect.
- C. Install wire way cover by laying one edge around edge of channel (1) then snap opposite edge of cover around edge of channel.
- D. Install appropriate lamp(s) (3) (not included) by inserting lamp pins into lamp holder.
- E. Rotate into place to set lamp for proper connection.

4. Diffuser mounting

- A. Slide one end of diffuser and trim assembly (4) over plain bracket (5) mounted to the ends of the channel. Swing other end of diffuser and trim assembly up and secure with latch (6).
- B. Restore power at fuse or circuit breaker box.



Limited Factory Warranty

American Fluorescent Corporation hereby warranty that this fixture is free from defects in materials and workmanship when installed and used under normal operating conditions for a period of 2 years from date of purchase. This warranty covers all component parts and extends only to replacement of defective fixture or components; it does not cover failure due to improper installation, misuse, mishandling or damage incurred in transit.