

## Safety Precautions

Read all safety precautions and installation instructions carefully before installing or servicing this fixture. Failure to comply with these instructions could result in potentially fatal electric shock and/or property damage.

It is recommended that a qualified electrician perform all wiring. This fixture must be wired in accordance with all national and local electrical codes.

Do not handle any energized fixture or attempt to energize any fixture with wet hands or while standing on a wet or damp surface or in water.

Make sure that the power source conforms to the requirements of the fixture. (See labels on fixture housing).

**Models ending in MV power source 120-277V Non-dimmable**  
**Models ending in SCTD power source 120V (Self Ballasted dimmable CFL)** Usable on a dimming circuit with dimmable lamps

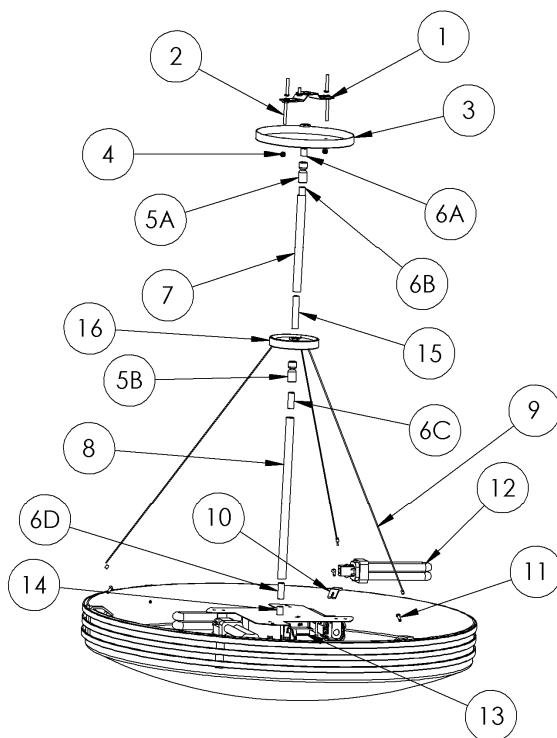
To reduce the risk of electrical shock, and to assure proper operation, this fixture must be adequately grounded. To accomplish proper grounding there must be a separate ground wire (green) or bare metal contact (metal conduit) between this fixture and the ground connection of your main power supply panel.

This fixture is intended for use as general lighting in dry or damp locations.

## Assembly Instructions

### 1. Preparing for installation.

- A. **Disconnect electrical power** before installing or servicing any part of this fixture.
- B. Unpack and lay out all of the fixture components in a manner that you can see that you have everything that you need to fully assemble the fixture.
- C. Please loctite all stems with supplied loctite to prevent stems from coming undone.



the hanger bracket (10), with the small fitting under the bracket. Secure them in place with one of the small screws (11) provided. Repeat with the other cables, brackets and screws.

### 3. Fixture mounting.

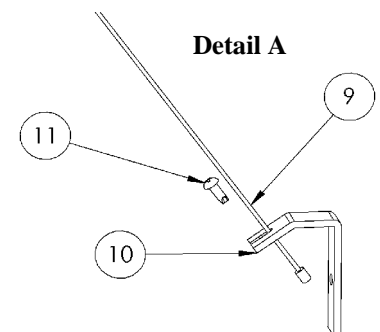
- A. (See top of fixture assembly Page 1) Insert 1 1/2" screws (2) through slots in mounting bracket (1) and secure to junction box in ceiling (not provided). Be sure that the two screws mounted to the bracket line up with the holes in the canopy (3) and point towards the floor. Slide supply wires through the center hole of the mounting bracket.

### 2. Fixture assembly - Lighting fixture is partially assembled

- A. Disassemble entire center section [stems (7, 8), threaded nipples (6A, B, C, D), swivels (5A,B)].
- B. Take the fixture power wires (black and white) and slide them through the bottom threaded nipple (6D) and the long stem (8). Thread the stem/nipple on to the fitting (14) on top of the socket plate until secure.
- C. Insert wires through the nipple (6C) and swivel (5B) and tighten. Slide wires through threaded nipple (15) and insert nipple through hanger assembly (16) and slide assembly over nipple.

**NOTE: Two 6" and two 12" stems included for desired height between hanger assembly and canopy.**

- D. Insert wire through stem (7) and secure to nipple. Slide wires through short nipple (6B) and secure. Slide wires through top swivel (5A), canopy (3) and canopy nut. Tighten all. Note: that it will be easiest to slide the wire through each component if the threaded nipples at the top of each item are removed.
- E. (See Detail A) Hook one of the aircraft cable hangers (9) into the slot in



### 4. Wiring.

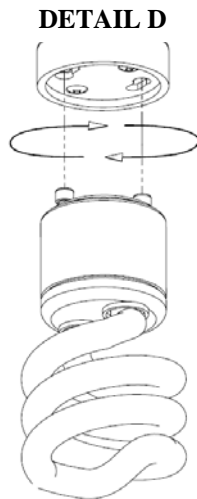
**Caution:** Make sure power is off at fuse or circuit breaker box. Check power wires for damage or scrapes. If power supply wires are within three inches of ballast use wire suitable for at least 90C (194F). **Note:** Most dwellings built before 1985 have supply wire rated to 60C. Consult a qualified electrician before installing.

- A. This unit will not operate properly unless connected to a “grounded” electrical circuit. Electrical shock, over heating, low or now light output, and shortened lamp life can result if proper grounding is not done. Securely attach green (or green and yellow) wire to provided green ground screw.
- B. For models ending in SCTD – using wire connectors provided, connect white supply wire to white ballast lead. Connect black hot supply wire to black ballast lead. For models ending in MV – Using luminaire disconnect (provided), insert white supply wire into the hole across from white ballast lead. Insert black hot supply wire into hole across from black ballast lead. **Do not mix wires.** Pull on each wire to make sure connections are secure. Make certain no bare wires are exposed outside of wire connectors.
- C. Line up the two holes in the canopy (3) with the two screws in the mounting bracket. Secure fixture to screws with the two thumb nuts (4) provided.

### 5. Lamp Installation (Lamps included on models ending with “SCTD”).

- A. For models ending in MV, use only 13 watt fluorescent, quad 4-pin lamps (10). To install, line lamp pins with the corresponding holes in the lamp socket (12) and push lamp into place until a click is heard. Repeat for each lamp.
- B. For models ending in SCTD (See Detail D) usable on dimming circuit with dimmable GU24 base lamps, use only GU24 base lamps only (26W max.). To install, line up lamp pins with the corresponding holes in lamp socket and turn clockwise until a click is heard. Repeat for each lamp.

**NOTE: BE CAREFUL NOT TO ROTATE PENDANT DURING LAMP INSTALLATION/REPLACEMENT**



#### Limited Factory Warranty

American Fluorescent Corporation hereby warranty that this fixture is free from defects in materials and workmanship when installed and used under normal operating conditions for a period of 2 years from date of purchase. This warranty covers all component parts and extends only to replacement of defective fixture or components; it does not cover failure due to improper installation, misuse, mishandling or damage incurred in transit.