

Safety Precautions

Read all safety precautions and installation instructions carefully before installing or servicing this fixture. Failure to comply with these instructions could result in potentially fatal electric shock and/or property damage.

It is recommended that a qualified electrician perform all wiring. This fixture must be wired in accordance with all national and local electrical codes.

Do not handle any energized fixture or attempt to energize any fixture with wet hands or while standing on a wet or damp surface or in water.

This fixture is designed for use in a 110-120VAC, 60Hz fused circuit. Do not use on a dimming circuit.

To reduce the risk of electrical shock, and to assure proper operation, this fixture must be adequately grounded. To accomplish proper grounding, there must be a separate ground wire (green) or bare metal contact (metal conduit) between this fixture and the ground connection of your main power supply panel. The green ground screw location is clearly marked on the gem bar.

This fixture is intended to be used for general indoor lighting in dry or damp locations only.

Assembly Instructions

1. Preparing for installation

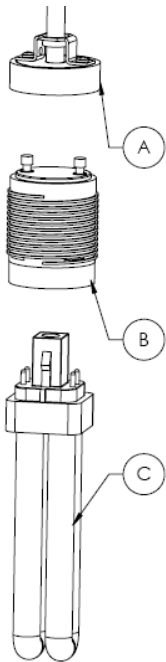
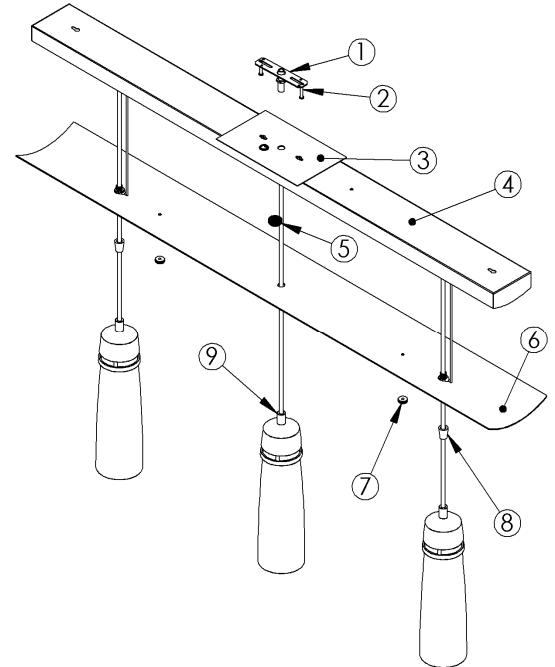
- Disconnect electrical power** before installing or servicing any part of this fixture.
- Determine final desired length of the three fixture cords from fixture housing to lamp portion. Wind extra cord lengths inside housing using cord holders provided there.
- Secure the gem bar (1) to junction box (not supplied) with screws (2). Adjust the 1-1/2" threaded stem in the gem bar with the lock nut so that the threaded rod is secured at the proper length (approx. 3/4" exposed room side).

2. Wiring and Fixture Mounting

Caution: Make sure power is off at fuse or circuit breaker box. If power supply wires are within three inches of ballast use wire suitable for at least 90C (194F).

Note: Most dwellings built before 1985 have supply wire rated to 60C. Consult a qualified electrician before installing.

- This unit may not operate properly unless connected to a "grounded" electrical circuit. Securely attach green (or green and yellow) wire to green ground screw on gem bar with provided hardware.
- Pull supply wires through offset hole in junction box cover plate (3) and housing (4).
- Place cover plate and fixture housing center hole over threaded stem, secure with knob (5). Additionally, secure the fixture housing at ends with mounting screws and anchors (not provided).
- Using wire connectors (provided), connect white supply wire to white fixture lead. Connect black hot supply wire to black fixture lead. Pull on each wire lead to make sure connections are secure. Tuck all wires neatly into housing.
- Tuck the two outside tethers inside fixture housing and press housing cover (6) over housing. Secure with two canopy nuts (7).
- Make any small, final lamp cord length adjustments desired by pulling or pushing on lamp cords and secure each with plastic nuts (8).



3. Lamp installation

- Unscrew caps (7) on top of lamp portion of fixture. Slide glass up to expose lampholder (A). Install appropriate 13 watt 4-pin fluorescent quad lamp G24q-1 (C), into barrel ballast (B) by inserting into socket on barrel ballast (B). Carefully slide glass and decorative top back down into place and secure.
- Restore power at fuse or circuit breaker box.

Limited Factory Warranty

American Fluorescent Corporation hereby warranty that this fixture is free from defects in materials and workmanship when installed and used under normal operating conditions for a period of 2 years from date of purchase. This warranty covers all component parts and extends only to replacement of defective fixture or components; it does not cover failure due to improper installation, misuse, mishandling or damage incurred in transit.