

Safety Precautions

Read all safety precautions and installation instructions carefully before installing or servicing this fixture. Failure to comply with these instructions could result in potentially fatal electric shock and/or property damage.

It is recommended that a qualified electrician perform all wiring. This fixture must be wired in accordance with all national and local electrical codes.

Do not handle any energized fixture or attempt to energize any fixture with wet hands or while standing on a wet surface.

This fixture is designed for use in a 110-120VAC, 60Hz fused circuit. Do not use on a dimming circuit.

To reduce the risk of electrical shock, and to assure proper operation, this fixture must be adequately grounded. To accomplish proper grounding, there must be a separate ground wire (green) or bare metal contact (metal conduit) between this fixture and the ground connection of your main power supply panel.

This fixture is intended to be used for general outdoor lighting in wet locations, **mounted at least 4' above ground level.**

Assembly Instructions

1. Preparing for installation.

- Disconnect electrical power** before installing or servicing any part of this fixture.
- This outdoor unit shall be mounted on a junction box (not supplied) that has 2-3/4" or 3-1/2" mounting dimensions.

2. Wiring.

All wiring must take place inside junction box. Caution: Make sure power is off at fuse or circuit breaker box. Check power wires for damage or scrapes. Consult a qualified electrician before installing.

- This unit may not operate properly unless connected to a grounded electrical circuit. Electrical shock, over heating, low or no light output, and shortened lamp life can result if proper grounding is not done. Securely attach green and yellow wire from back of fixture to ground.
- Using wire connectors provided, connect white supply wire to white fixture lead. Connect black hot supply wire to black fixture lead. **Do not mix wires.** Make sure connections are secure and tucked carefully into the junction box.

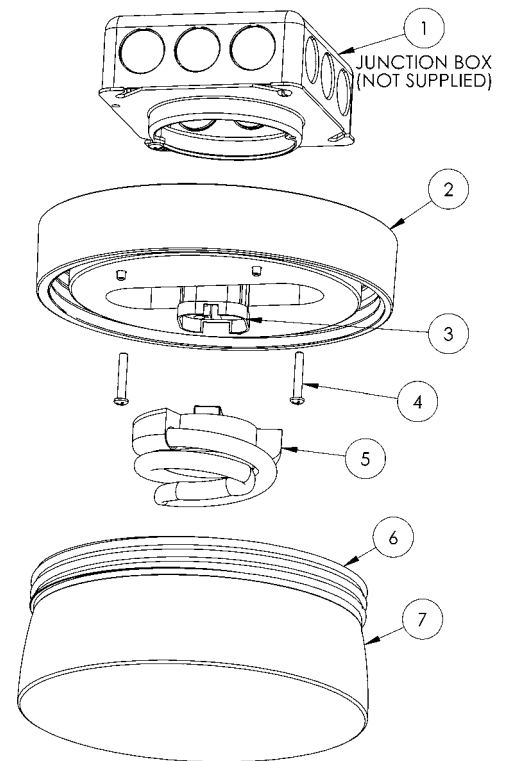
3. Fixture mounting.

- Positioning canopy assembly (2) over junction box (1) and secure with #8 screws (4) into the junction box threaded mounting holes.
- Apply a bead of silicone sealant (not supplied) completely around edges of fixture back at wall following manufacturer's instructions.

4. Lamping and diffuser mounting.

- Install supplied lamp (5), by inserting lamp pins into lampholder (3) and pressing until it snaps into place.
- To install diffuser (7) align diffuser threads (6) with canopy assembly threads and turn clockwise until diffuser is screwed into canopy assembly and stops against inner rubber gasket.

5. Restore power at fuse or circuit breaker box.



Limited Factory Warranty

American Fluorescent Corporation hereby warrants that this fixture is free from defects in materials and workmanship when installed and used under normal operating conditions for a period of 2 years from date of purchase. This warranty covers all component parts and extends only to replacement of defective fixture or components; it does not cover failure due to improper installation, misuse, mishandling or damage incurred in transit.

