

## DESCRIPTION

These multi-purpose wall brackets have a smooth acrylic diffuser, and are available in three color options; white housing and ends, chrome housing and ends, or white housing and chrome ends. They are fully enclosed, and every unit comes with a grounded convenience outlet and turn switch unless otherwise specified. Choose from one or two lamp models available in four different sizes measuring approximately 18", 24", 36", or 48" in length. All models use T12 lamps.

## CONSTRUCTION

Housing die formed of 21 gauge steel, cover die formed of 24 gauge steel, and ends are die formed of 20 gauge cold rolled steel. Ends are secured with acorn nuts, so no tools are needed to change lamps. Standard mounting holes and standard wiring knockouts are included.

## FINISH

Interior is finished in lighting grade white baked gloss enamel paint. Exterior is finished in lighting grade white baked gloss enamel paint, or in chrome plating.

## DIFFUSER

The one piece lens is extruded of 100% virgin acrylic, in translucent white, with a smooth finish. Thickness is .100". Lens is held in place by the end caps.

## ELECTRICAL

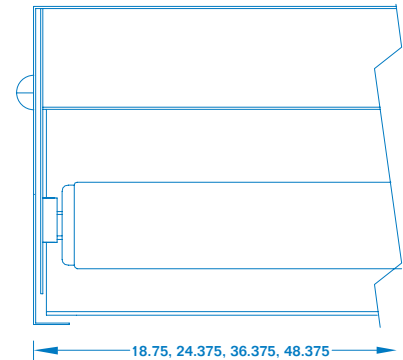
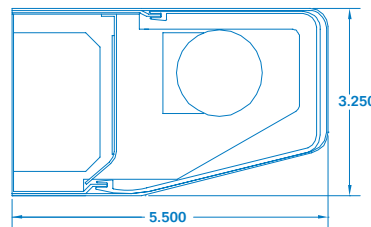
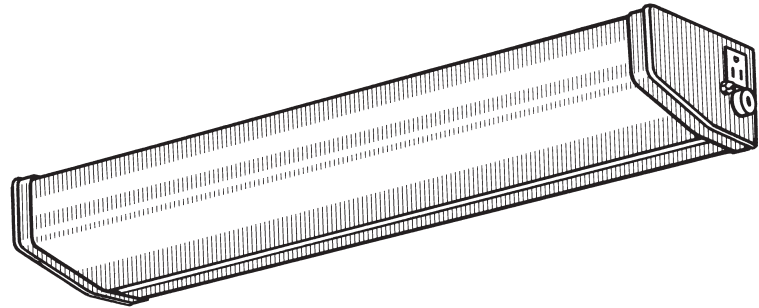
All ES units are wired with U.L. listed high power factor, rapid start, Class P, (ES) full light output,  $\text{\textcircled{E}}$  ballasts for 120 volt, 60 hertz A.C. operation. All non-ES units have trigger or rapid start high power factor ballasts. Three wire grounded convenience outlet and turn switch are standard and located in the right end cap. Lampholders are rotating lock, medium bi-pin type. All fixtures are U.L. listed for damp location.

## OPTIONS

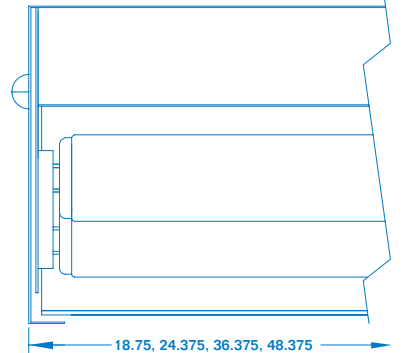
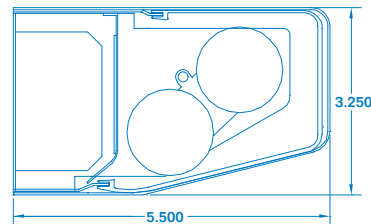
See ordering chart for all-chrome, all-white, or white and chrome finishes. Fixture is standard with a convenience outlet and turn switch, contact factory for other configurations.

For ballast upgrades and options, refer to back of guide. Other voltages, listings, and ratings available on request (contact factory).

For proper air circulation in enclosed and confining areas, all 2-lamp units must be mounted at least 2" from surrounding cabinets or enclosures.



AA-100 Series (1 Light)



AA-200 Series (2 Lights)

## ORDERING INFORMATION

Model No.				DIMENSIONS			
All White	All Chrome	White/ Chrome Ends	Fluorescent Lamps	L	W	D	Mtg. Ill.
AAW115RS	AAC115RS	AAWC115RS	(1) T12 18" Lamp	18 $\frac{3}{8}$ "	3 $\frac{1}{4}$ "	5 $\frac{1}{2}$ "	105
AAW120RS	AAC120RS	AAWC120RS	(1) T12 24" Lamp	24 $\frac{3}{8}$ "	3 $\frac{1}{4}$ "	5 $\frac{1}{2}$ "	105
AAW130RS	AAC130RS	AAWC130RS	(1) T12 36" Lamp	36 $\frac{3}{8}$ "	3 $\frac{1}{4}$ "	5 $\frac{1}{2}$ "	105
AAW140RSES	AAC140RSES	AAWC140RSES	(1) T12 48" Lamp	48 $\frac{3}{8}$ "	3 $\frac{1}{4}$ "	5 $\frac{1}{2}$ "	105
AAW215RS	AAC215RS	AAWC215RS	(2) T12 18" Lamps	18 $\frac{3}{8}$ "	3 $\frac{1}{4}$ "	5 $\frac{1}{2}$ "	105
AAW220RS	AAC220RS	AAWC220RS	(2) T12 24" Lamps	24 $\frac{3}{8}$ "	3 $\frac{1}{4}$ "	5 $\frac{1}{2}$ "	105
AAW230RS	AAC230RS	AAWC230RS	(2) T12 36" Lamps	36 $\frac{3}{8}$ "	3 $\frac{1}{4}$ "	5 $\frac{1}{2}$ "	105
AAW240RSES	AAC240RSES	AAWC240RSES	(2) T12 48" Lamps	48 $\frac{3}{8}$ "	3 $\frac{1}{4}$ "	5 $\frac{1}{2}$ "	105