

DESCRIPTION

These round surface fixtures feature a polished brass base with a decorative frosted ribbed glass diffuser. Two or three lamp models available. Suitable for a variety of applications.

CONSTRUCTION

Housing is die formed of 22 gauge cold rolled steel. Standard back (top) with universal keyhole slots for mounting and wiring holes for electrical connection.

FINISH

Interior and exterior are finished in bright brass plating.

DIFFUSER

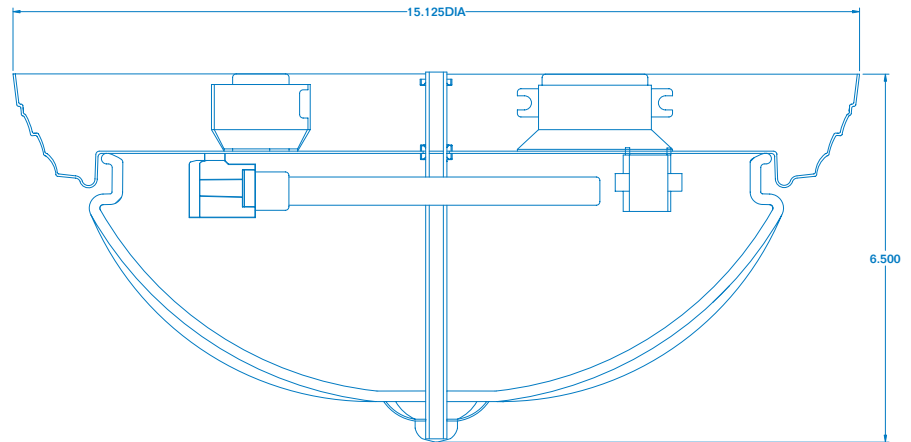
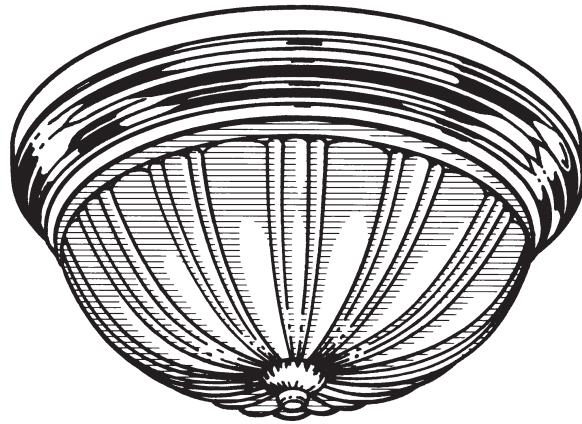
The lens is cast, frosted glass with a ribbed and fluted pattern. It is secured to the housing with a threaded center stem and a hand-tightened finial.

ELECTRICAL

All "COMPACT FLUORESCENT" units are wired with U.L. listed, normal power factor, preheat type, Class P ballasts, for 120 volt, 60 hertz A.C. operation. Lampholders are 2-pin, GX23 base for 13 watt lamps only. Power supply connections must be made inside a junction box (not provided). All fixtures are U.L. listed.

OPTIONS

Housing is also available in other custom color finishes (contact factory). Ballast upgrades and options available (contact factory). Other voltages, lamps, listings, and ratings available on request (contact factory).



ORDERING INFORMATION

Model No.	Fluorescent Lamps	DIMENSIONS		
		Diameter	Depth	Mtg. Ill.
C5026	(2) 13 watt Twin Tubes	15½"	6½"	63
C5039	(3) 13 watt Twin Tubes	15½"	6½"	63