

DESCRIPTION

These decorative Reed and Ribbon ceiling fixtures are designed in a variety of lamp combinations to meet your needs. Choose from Compact fluorescent or Circline lamps. Available in hand applied Travertine, Parchment and Rust finishes. All units come fully assembled.



CONSTRUCTION

Housing is die formed of 22 gauge cold rolled steel. Standard back with universal keyhole slots for mounting and wiring holes for electrical connection.

FINISH

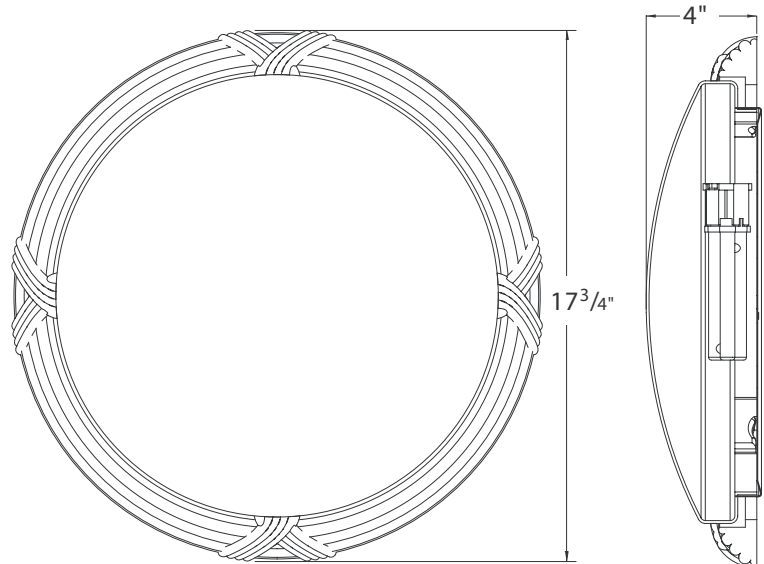
All steel parts are finished in lighting grade white baked gloss enamel paint.

DIFFUSER/FRAME

Lens is made from translucent white 100% virgin acrylic, .125" thick, formed into a reverse cloud puff shape with a stipple finish interior and a smooth finish exterior. Diffuser slides into a cast plastic hand painted frame. The diffuser mounts to the channel by a lift and twist lock design.

ELECTRICAL

All units are wired with U.L. listed Electronic, Normal power factor, Rapid start, Class P, full light output ballast for 120 volt, 60 hertz A.C. operation. 0°F minimum starting temperature. Lampholders for compact fluorescent are 4-pin G24q-1 base for 13 watt Quad lamps only are straight snap in insertion. Circline sockets are 4-pin straight insertion type. Lamp retention is provided with 3 spring clips per lamp. All fixtures are U.L. listed damp location for consumer use.



OPTIONS NONE

ENERGY STAR

compliant when used with Lamps which are have a rated lamp life of 10,000 hrs or more and have a CRI of 80 or greater.

CFQ13W/G24Q/827
FC8T9/830 & FC12T9/830



ORDERING INFORMATION

Model No.	DIMENSIONS					
	Rust	Travertine	Parchment	Fluorescent Lamps	Dia	Deep
CRR313REC	CRR313TREC	CRR313PREC	(3) 13W CFQ 4 PIN	17 ³ / ₄ "	4"	121
CRR2054RE	CRR2054TRE	CRR2054PRE	(1) 22W FC8T9 & (1) 32W FC12T9	17 ³ / ₄ "	4"	126