

## DESCRIPTION

These units are designed for general purpose industrial lighting. They feature reflectors with reinforced ribs for extra rigidity. Available in four foot and eight foot lengths with a choice of ballast options. All units use T12 lamps.

## CONSTRUCTION

Housing, reflector, and ends are die formed of 22 gauge cold rolled steel. Reflector has reinforcing ribs for extra rigidity, and comes in two halves for 6' and 8' fixtures. Reflector slides into socket bar on one end and other end is secured with a quarter turn cam lock fastener. Standard mounting holes and standard wiring knockouts are included. Fixture can be surface, stem, or chain hung, and can be mounted individually or in continuous runs.

## FINISH

Housing interior and exterior is finished in lighting grade white baked gloss enamel paint.

## DIFFUSER

There is no diffuser on this fixture. The fluorescent lamps are exposed

## ELECTRICAL

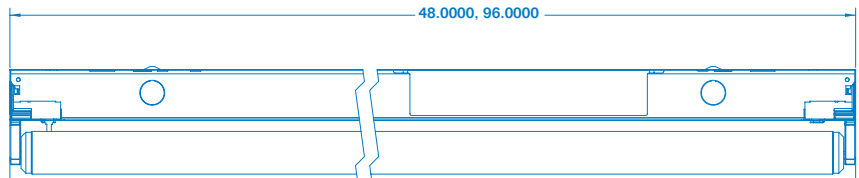
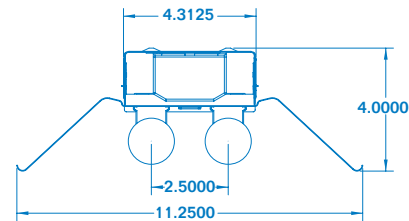
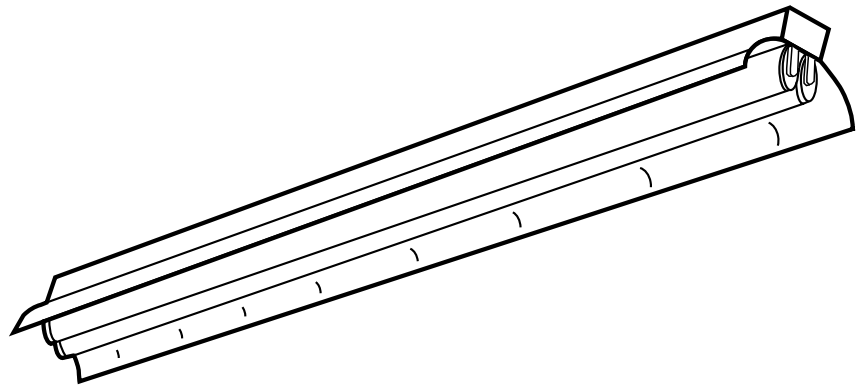
All "(ES) energy saving" units are wired with U.L. listed high power factor, rapid start, Class P, full light output,  $\text{\textcircled{E}}$  ballasts for 120 volt, 60 hertz A.C. operation. Lampholders are rotating lock, medium bi-pin type. All fixtures are U.L. listed.

All "(XLRE) reduced energy" units are wired with high power factor, rapid start, Class P,  $\text{\textcircled{E}}$  ballasts for 120 volt, 60 hertz A.C. operation. These fixtures are supplied with a 12" long 3 wire "SJT" black cord and plug. In addition, 2 F40 cool white energy saving lamps are installed. Lampholders are rotating lock, medium bi-pin type. All fixtures are U.L. listed.

Optional slimline units are available. All "slimline" units are wired with U.L. listed high power factor, instant start, Class P ballasts for 120 volt, 60 hertz A.C. operation. These ballasts are sound rated C and are for use with T12 single pin nominal 430 M.A. slimline lamps only. Minimum starting temperature for ES lamps is 60°F. Lampholders are compression lock, single pin type. All fixtures are U.L. listed.

## OPTIONS

10% uplight reflectors available (contact factory). Available with cord & plug (contact factory). Black finish also available (contact factory). For ballast upgrades and options, refer to ESI-HO Series page or back of guide. Other voltages, listings, and ratings available on request (contact factory).



## ORDERING INFORMATION

Model No.	Fluorescent Lamps	DIMENSIONS			
		L	W	D	Mtg. Ill.
ESI240ES	(2) T12 48"	48"	11 1/4"	4"	39
ESI240-8ES	(4) T12 48" (Tandem)	96"	11 1/4"	4"	42
ESI240XLRE	(2) T12 48"	48"	11 1/4"	4"	39
ESI296ES	(2) T12 96" (Slimline)	96"	11 1/4"	4"	42