

DESCRIPTION

These silver finished aluminum reflector lights swivel to aim light right where you need it. They are suitable for garages, porches, sheds, bards, and a wide variety of indoor and outdoor locations. They come ready to install for side wall and ceiling applications. One and two lamp models available. They use incandescent lamps up to 150 watts maximum.

CONSTRUCTION

Housing, cover, and swivel arm are die cast aluminum. Reflector is an aluminum spinning.

FINISH

Housing, cover, and swivel arm are finished in bright polished aluminum. Reflector interior and exterior are finished silver baked gloss enamel paint.

DIFFUSER

There is no diffuser on this fixture.

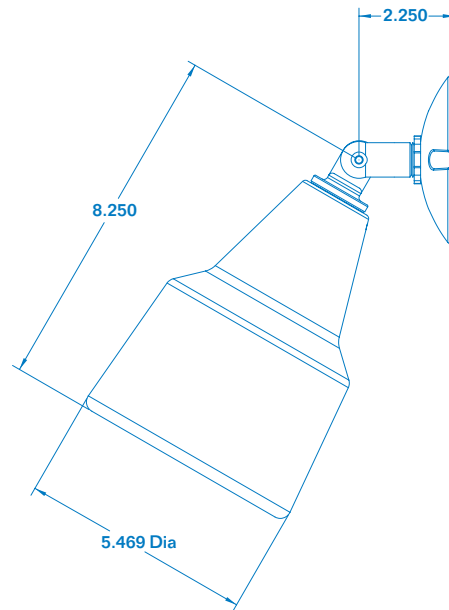
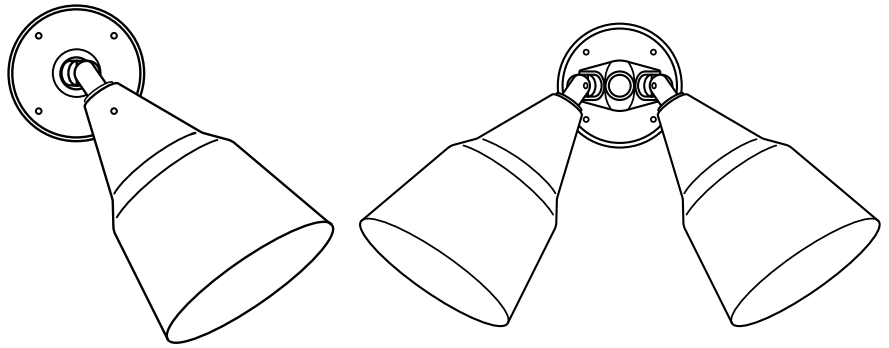
ELECTRICAL

All "INCANDESCENT" fixtures are wired with U.L. listed medium base porcelain lampholders for 120 volt 60 hertz A.C. operation. Maximum wattage is BR40 lamps-150 watts max, PAR38 lamps-150 watts max. Power supply connections must be made inside a junction box (sold separately). For wet location applications, aim reflector below horizontal, seal outlet box cover with silicon rubber.

All fixtures are U.L. listed for wet locations.

OPTIONS

Reflector is also available in other custom color finishes (contact factory).



ORDERING INFORMATION

Model No.	Incandescent Lamps	DIMENSIONS	
		Diameter (ea. reflector)	Depth
RSS194-6*	(1) 150 watts Maximum	5 $\frac{1}{16}$ "	10 $\frac{1}{2}$ "
RSS196-6*	(2) 150 watts Maximum	5 $\frac{1}{16}$ "	10 $\frac{1}{2}$ "

* Order in multiples of six.