



DESCRIPTION

These decorative Reed and Ribbon wall sconce fixtures are designed to fit your decorating needs. Choose from hand applied Travertine, Parchment and Rust finishes. All units come fully assembled.

CONSTRUCTION

Backplate is die formed of 22 gauge cold rolled steel. Standard mounting and wiring holes for electrical connection are included.

FINISH

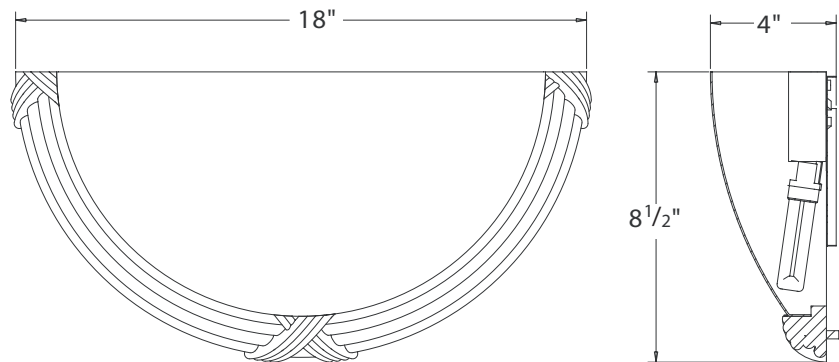
All steel parts are finished in lighting grade white baked gloss enamel paint.

DIFFUSER/FRAME

Lens is made from translucent white 100% virgin acrylic, .125" thick, formed into a quarter sphere puff shape with a smooth finish exterior. Diffuser is glued inside frame. Frame mounts onto studs located in back pan.

ELECTRICAL

All units are wired with U.L. listed Electronic, Normal power factor, Rapid start, Class P, full light output ballast for 120 volt, 60 hertz A.C. operation. 0°F minimum starting temperature. Lampholders are 4-pin G24q-1 base for 13 watt Quad lamps are straight snap in insertion. All fixtures are U.L. listed damp location for consumer use.



OPTIONS NONE

ENERGY STAR

compliant when used with Lamps which are have a rated lamp life of 10,000 hrs or more and have a CRI of 80 or greater.

CFQ13W/G24Q/827

ORDERING INFORMATION

Model No.	DIMENSIONS				
	Rust	Travertine	Parchment	Fluorescent Lamps	W H D Mtg. Ill.
SRR213REC	SRR213TREC	SRR213PREC	(2) 13W CFQ 4 PIN	18" 8 1/2" 4"	65

