

DESCRIPTION

These soft white vanity fixtures have a tubular shape with white faux stone ribbed end caps. They feature a fully enclosed housing, and an electronic ballast for instant-on, quiet operation. Three models to choose from measuring approximately 26", 38", or 50" in length. Each model uses (2) T8 lamps.

CONSTRUCTION

Housing, cover and ends are die formed of 22 gauge cold rolled steel. Standard mounting holes and wiring knockouts are included. Can be hung horizontally or vertically on the wall, or ceiling mounted.

FINISH

Housing interior and exterior are finished in lighting grade white baked gloss enamel paint.

DIFFUSER

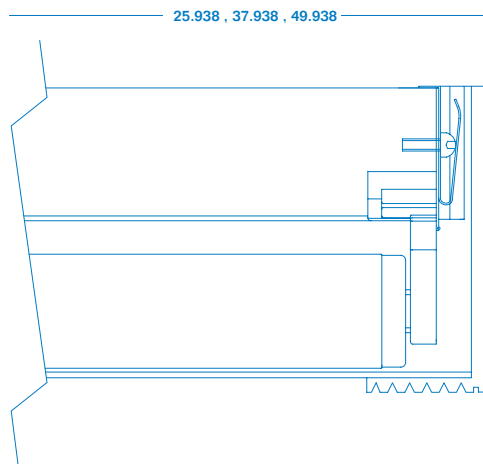
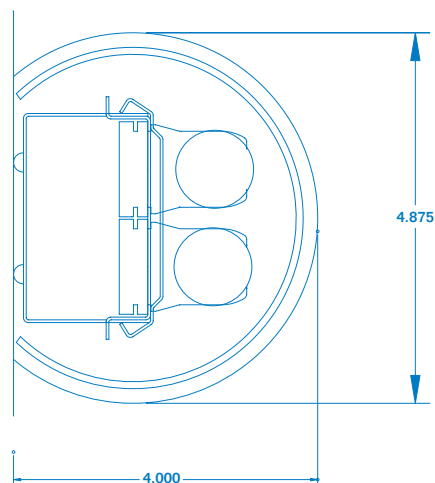
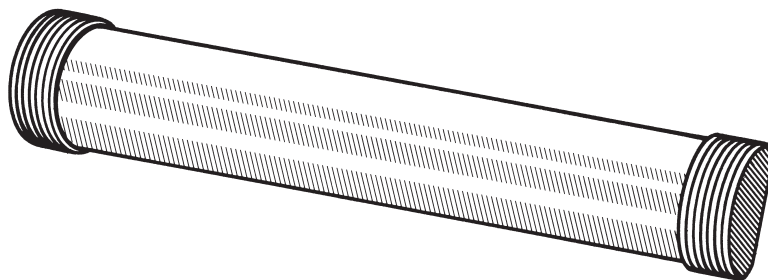
The lens is extruded of 100% virgin acrylic, .100" thick, in translucent white, with a smooth finish, in a round tubular shape. End caps are cast of powdered stone and translucent resin with a faux stone appearance in white, and are bonded to the lens. The entire diffuser assembly snaps onto spring clips on fixture ends, completely enclosing the housing.

ELECTRICAL

All units are wired with U.L. listed high power factor, rapid start, Class P, electronic ballasts for "T8 Octron" lamps at 120 volt, 60 hertz A.C. operation. Lampholders are straight snap in insertion, medium bi-pin type. All fixtures are U.L. listed for damp location.

OPTIONS

Other end cap custom colors are available (contact factory). For ballast options, refer to back of guide. Other voltages, listings, and ratings available on request (contact factory).



ORDERING INFORMATION

Model No.	Fluorescent Lamps	DIMENSIONS			Mtg. Ill.
		L	W	D	
V8AW220E8	(2) T8 24" Lamps	25 ¹⁵ / ₁₆ "	4 ⁷ / ₈ "	4"	113
V8AW230E8	(2) T8 36" Lamps	37 ¹⁵ / ₁₆ "	4 ⁷ / ₈ "	4"	113
V8AW240E8	(2) T8 48" Lamps	49 ¹⁵ / ₁₆ "	4 ⁷ / ₈ "	4"	113