

DESCRIPTION

These decorative vanity fixtures have a solid wood frame with a clear maple finish. They feature a contemporary mission-style lattice pattern on the front and a smooth white drop dish style diffuser. They provide an opening along the top to allow uplighting, and include an electronic ballast for instant-on, quiet operation. Three sizes to choose from measuring approximately 26", 38", or 50" in length. Each model uses (2) T8 lamps.

CONSTRUCTION

Housing, cover and ends are die formed of 22 gauge cold rolled steel. Standard mounting holes and wiring knockouts are included.

FINISH

Housing interior and exterior are finished in lighting grade white baked gloss enamel paint.

DIFFUSER

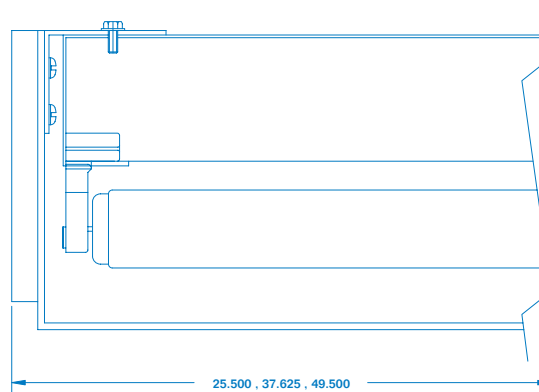
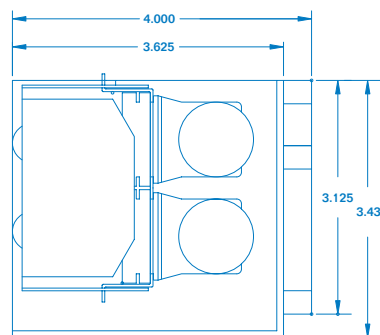
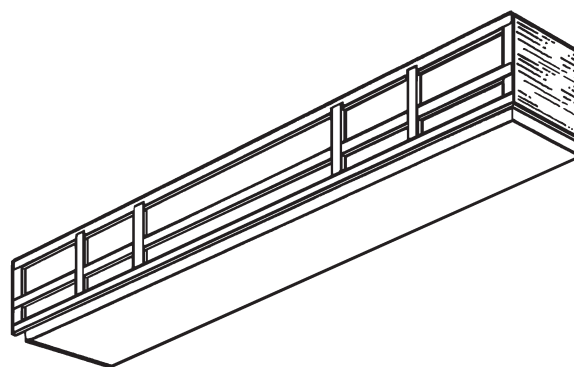
Lens is a one-piece extruded smooth flat lens of translucent white 100% virgin acrylic, .100" thick. The lens is scored, mitered, and formed into the box cloud shape. The wooden frame is constructed of solid wood, with a clear maple stain finish, and is glued and screwed to the box cloud. The entire diffuser assembly attaches to the top of the housing with brackets that are pre-installed in the ends of the lens.

ELECTRICAL

All units are wired with U.L. listed high power factor, rapid start, Class P, electronic ballasts for "T8 Octron" lamps at 120 volt, 60 hertz A.C. operation. Lampholders are straight snap in insertion, medium bi-pin type. All fixtures are U.L. listed for damp location.

OPTIONS

Other custom woods and stain colors are available (contact factory). For ballast options, refer to back of guide. Other voltages, listings, and ratings available on request (contact factory).



ORDERING INFORMATION

Model No.	Fluorescent Lamps	DIMENSIONS			Mtg. Ill.
		L	W	D	
V8MM220E8	(2) T8 24" Lamps	25½"	4"	3⅞"	113
V8MM230E8	(2) T8 36" Lamps	37⅞"	4"	3⅞"	113
V8MM240E8	(2) T8 48" Lamps	49½"	4"	3⅞"	113