

DESCRIPTION

These narrow style, white cloud vanity fixtures have rounded corners and edges for a soft pillow appearance. They feature a fully enclosed housing, and an electronic ballast for instant-on, quiet operation. Three sizes to choose from measuring approximately 26", 38", or 50" in length. Each model uses (2) T8 lamps.

CONSTRUCTION

Housing, cover and ends are die formed of 22 gauge cold rolled steel. Standard mounting holes and wiring knockouts are included. Can be hung horizontally or vertically on the wall, or ceiling mounted.

FINISH

Housing interior and exterior are finished in lighting grade white baked gloss enamel paint.

DIFFUSER

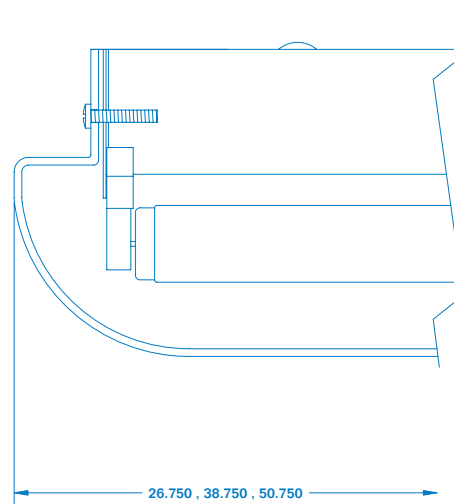
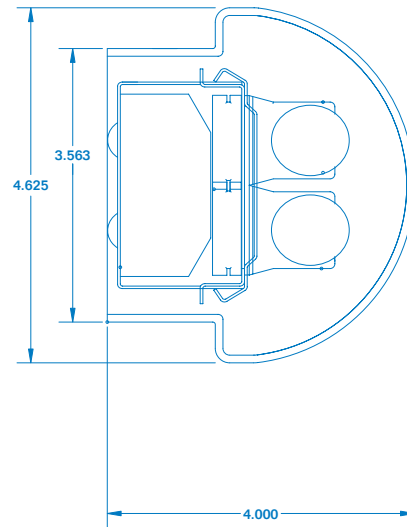
Lens is made from a sheet of cast translucent white 100% virgin acrylic, .125" thick, formed into a narrow reverse cloud puff shape with a stipple finish interior and a smooth finish exterior. Diffuser attaches with a white screw in each end, completely enclosing the housing.

ELECTRICAL

All units are wired with U.L. listed high power factor, rapid start, Class P, electronic ballasts for "T8 Octron" lamps at 120 volt, 60 hertz A.C. operation. Lampholders are straight snap in insertion, medium bi-pin type. All fixtures are U.L. listed for damp location.

OPTIONS

For ballast options, refer to back of guide. Other voltages, listings, and ratings available on request (contact factory).



ORDERING INFORMATION

Model No.	Fluorescent Lamps	DIMENSIONS			Mtg. Ill.
		L	W	D	
V8PN220E8	(2) T8 24" Lamps	26 ³ / ₄ "	4 ⁵ / ₈ "	4"	113
V8PN230E8	(2) T8 36" Lamps	38 ³ / ₄ "	4 ⁵ / ₈ "	4"	113
V8PN240E8	(2) T8 48" Lamps	50 ³ / ₄ "	4 ⁵ / ₈ "	4"	113