

DESCRIPTION

These versatile vanity fixtures have a rectangular acrylic diffuser with white, chrome, brass, or oak ends. They are fully enclosed and can be mounted to the wall or ceiling. There are four sizes to choose from measuring approximately 18", 24", 36", or 48" in length. Each model uses (2) T12 lamps.

CONSTRUCTION

Housing die formed of 21 gauge steel, cover die formed of 24 gauge steel, and ends are die formed of 20 gauge cold rolled steel or optional solid oak (VSK). Ends are secured with acorn nuts, so no tools are needed to change lamps. Standard mounting holes and standard wiring knockouts are included. Can be hung horizontally or vertically on the wall, or ceiling mounted.

FINISH

Interior and exterior of housing are finished in lighting grade white baked gloss enamel paint. End caps are finished in lighting grade white baked gloss enamel paint (VSW), or in chrome (VSC) or brass (VSB) plating, or solid oak ends are stained medium oak (VSK).

DIFFUSER

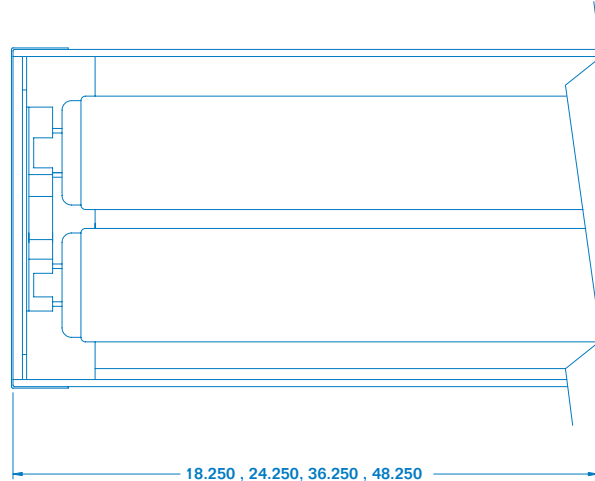
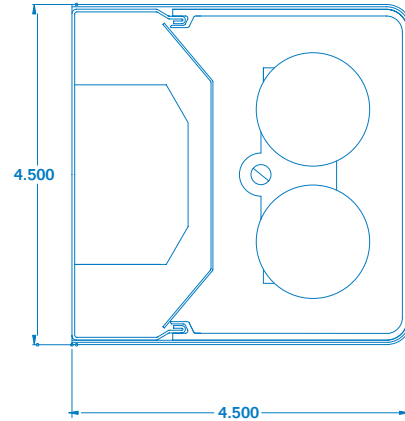
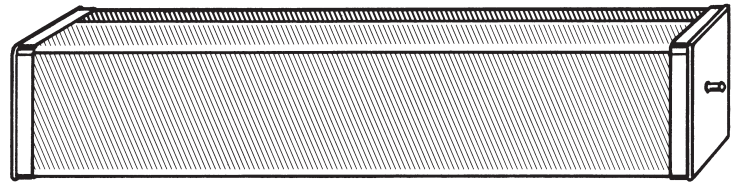
The one-piece lens is extruded of 100% virgin translucent white acrylic, with a smooth finish. Thickness is .100" Lens is held in place by the end caps.

ELECTRICAL

All ES units are wired with U.L. listed high power factor, rapid start, Class P, (ES) full light output, (E) ballasts for 120 volt, 60 hertz A.C. operation. All non-ES units have trigger or rapid start high power factor ballasts. Lampholders are rotating lock, medium bi-pin type. All fixtures are U.L. listed for damp location.

OPTIONS

For ballast options, refer to back of guide. Other voltages, listings, and ratings available on request (contact factory).



ORDERING INFORMATION

Model No.				DIMENSIONS				
White	Chrome	Brass	Oak	Fluorescent Lamps	L	W	D	Mtg. Ill.
VSW215RS	VSC215RS	VSB215RS	VSK215RS	(2) T12 18" Lamps	18¼"	4½"	4½"	15
VSW220RS	VSC220RS	VSB220RS	VSK220RS	(2) T12 24" Lamps	24¼"	4½"	4½"	16
VSW230RS	VSC230RS	VSB230RS	VSK230RS	(2) T12 36" Lamps	36¼"	4½"	4½"	17
VSW240RSES	VSC240RSES	VSB240RSES	VSK240RSES	(2) T12 48" Lamps	48¼"	4½"	4½"	18