

## DESCRIPTION

When the application requires an industrial grade fixture that can be used in damp and wet locations, this series of vaportite fixtures is an excellent choice. Constructed of fiberglass and high impact acrylic, these fixtures feature CAM latches to secure the diffuser tightly to the housing. Choose from one, two and four lamp configurations. All units use T12 lamps.

## CONSTRUCTION

Inner light strip housing, cover and ends are die formed of 22 gauge cold rolled steel. Outer vaportite enclosure is formed of fiberglass reinforced polyester, with a seamless poured gasket around the entire perimeter. Threaded mounting studs are molded into the back of the enclosure for stem, chain, or direct mounting. Plugged wiring holes are provided at each end of the enclosure for conduit connection, and can be wired individually or in continuous runs.

## FINISH

Steel strip housing interior and exterior are finished in lighting grade white baked gloss enamel paint. Fiberglass enclosure is molded in pearl gray.

## DIFFUSER

The one-piece lens is vacuum formed of 100% virgin clear acrylic, with a matte stipple finish on the inside surface to control lamp brightness. Thickness is .100". Lens is held in place by plastic CAM latches that snap into molded pockets around the perimeter of the fiberglass enclosure and pull the diffuser tightly against the gasket seal.

## ELECTRICAL

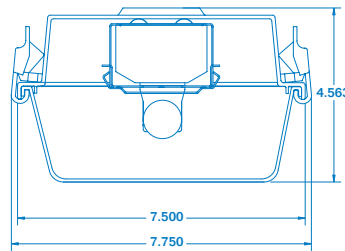
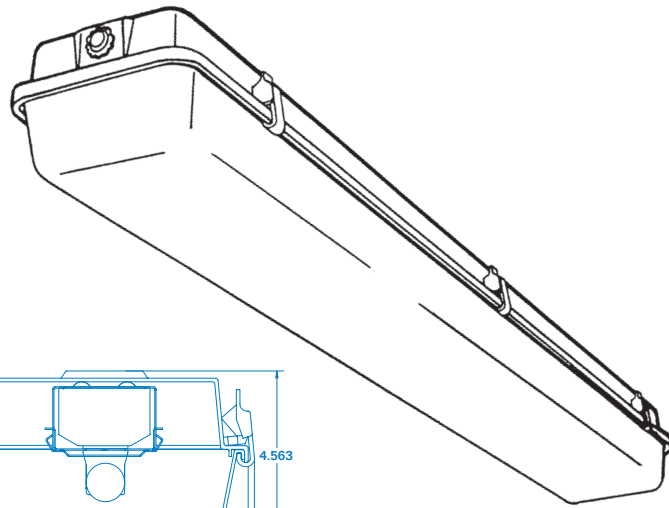
All "(ES) energy saving" units are wired with U.L. listed high power factor, rapid start, Class P, full light output,  $\text{\textcircled{E}}$  ballasts for 120 volt 60 hertz A.C. operation. Minimum starting temperatures for ES lamps is 60°F, standard lamps is 50°F. All "(CW) cold weather" units have a minimum starting temperature of 0°F. Lampholders are rotating lock, medium bi-pin type.

All "slimline" units are wired with U.L. listed high power factor, instant start, Class P ballasts for 120 volt, 60 hertz A.C. operation. These ballasts are sound rated C and are for use with single pin nominal 430 M.A. slimline lamps only. Minimum starting temperature for ES lamps is 60°F. All "(CW) cold weather" ballasts have a minimum starting temperature of 0°F for standard lamps, ES lamps are not recommended for cold weather applications. Lampholders are compression lock, single pin type.

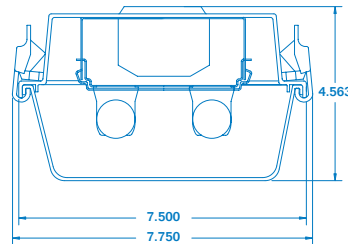
All fixtures are U.L. listed for damp location.

## OPTIONS

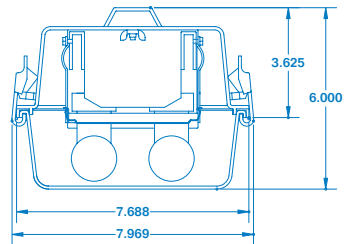
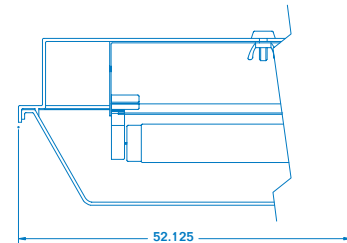
Fittings for wet location listing are available by adding WET to model number (contact factory). Clear polycarbonate or white acrylic diffusers are available (contact factory). CAM latches in stainless steel or tamperproof plastic are available (contact factory). For ballast upgrades and options, refer to back of guide. Other voltages, listings, and ratings available on request (contact factory).



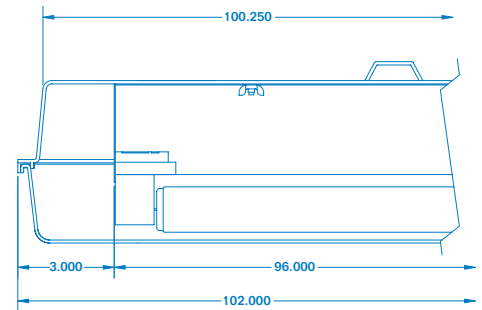
VTP140



VTP240



VTP240-8, 296



## ORDERING INFORMATION

Model No.	Fluorescent Lamps	DIMENSIONS			
		L	W	D	Mtg. Ill.
VTP140ES	(1) T12 48"	52 $\frac{1}{8}$ "	7 $\frac{3}{4}$ "	4 $\frac{9}{16}$ "	39
VTP240ES	(2) T12 48"	52 $\frac{1}{8}$ "	7 $\frac{3}{4}$ "	4 $\frac{9}{16}$ "	39
VTP240-8ES	(4) T12 48" (Tandem)	102"	7 $\frac{3}{16}$ "	6"	42
VTP296ES	(2) T12 96" (Slimline)	102"	7 $\frac{3}{16}$ "	6"	42
VTP140CW	(1) T12 48"	52 $\frac{1}{8}$ "	7 $\frac{3}{4}$ "	4 $\frac{9}{16}$ "	39
VTP240CW	(2) T12 48"	52 $\frac{1}{8}$ "	7 $\frac{3}{4}$ "	4 $\frac{9}{16}$ "	39
VTP240-8CW	(4) T12 48" (Tandem)	102"	7 $\frac{3}{16}$ "	6"	42
VTP296CW	(2) T12 96" (Slimline)	102"	7 $\frac{3}{16}$ "	6"	42