

YL108/YL108G SERIES

DESCRIPTION

These 14" reflector lights are designed for side wall and ceiling installations. They're suitable for barns, garages, sheds, workshops, livestock buildings and more. They feature a deeper style reflector with a durable silver finish and reflective white interior. Both come with a 10½" galvanized steel pipe, and the junction box covers double as mounting brackets. Model YL108 uses an incandescent bulb up to 300 watts maximum. Model 108G includes a glass safety cylinder and uses an incandescent bulb up to 100 watts maximum.

CONSTRUCTION

Housing and cover are die cast aluminum. 10½" extension pipe is ¾" diameter galvanized steel. Reflector is an aluminum spinning.

FINISH

Housing and cover are finished in bright polished aluminum. Reflector interior is finished in white baked gloss enamel paint. Exterior is finished in silver baked gloss enamel paint.

DIFFUSER

There is no diffuser on these fixtures.

ELECTRICAL

All "INCANDESCENT" fixtures are wired with U.L. listed medium base porcelain lampholders for 120 volt 60 hertz A.C. operation.

YL108 - Maximum wattage is A19 lamps-100 watts max, A21 lamps-200 watts max, A23 lamps-250 watts max, BR40 lamps-150 watts max, R40 lamps-300 watts max, PAR38 lamps-250 watts max, PS25 lamps-300 watts max.

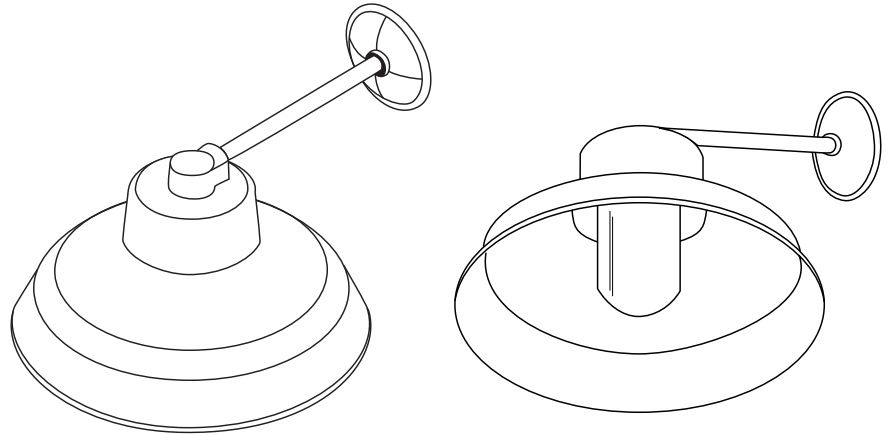
YL108G - Maximum wattage is A19 lamps-100 watts max. All wall-mounted units should be mounted base "UP", reflector aimed down for wet location listing.

All wall-mounted units should be mounted base "UP", reflector aimed down for wet location listing. Install fixture at least 4' above ground. Power supply connections must be made inside a junction box (sold separately). Seal outlet box cover with silicon rubber.

All fixtures are U.L. listed for wet locations.

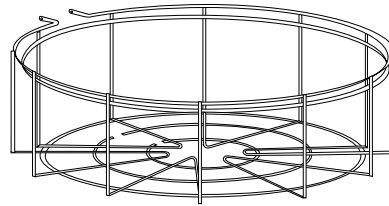
OPTIONS

Reflector is also available in other custom color finishes (contact factory).

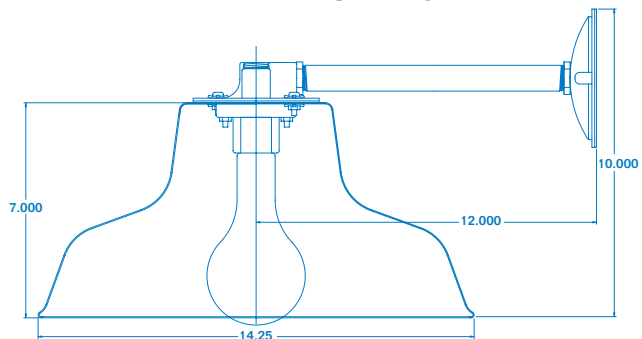


YL108

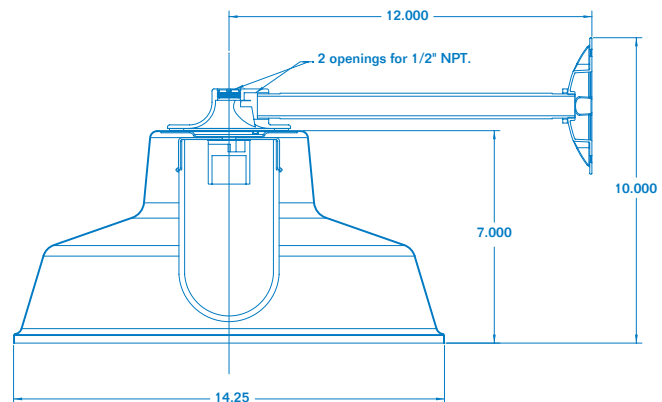
YL108G



YLRWG Wireguard Option



YL108



YL108G

ORDERING INFORMATION

Model No.	Incandescent Lamps	DIMENSIONS		
		L	W	D
YL108-4*	(1) 300 watts Maximum	19¾"	14¼"	10"
YL108G-4*	(1) 100 watts Maximum	19¾"	14¼"	10"

* Order in multiples of four.