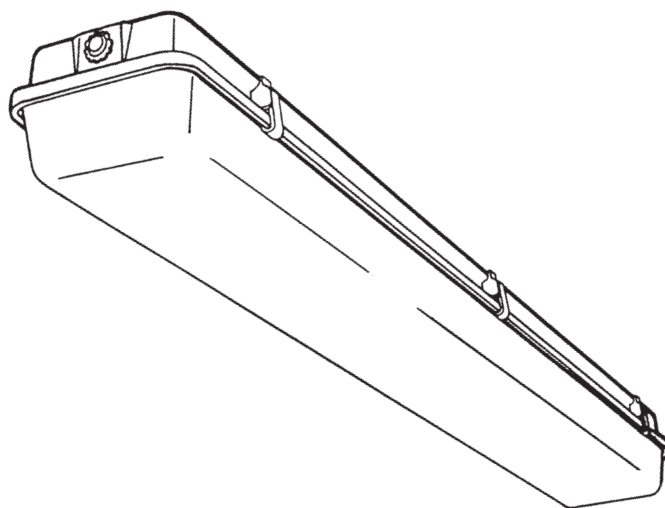


# VTP-HO SERIES



## DESCRIPTION

When the application requires an industrial grade fixture that can be used in damp and wet locations with high output lamps, this series of vaportite lights is an excellent choice. Constructed of fiberglass and high impact acrylic, these fixtures feature CAM latches to secure the diffuser tightly to the housing. Choose a 48", 96" or 96" cold weather model. All units use two T12 high output lamps.

## CONSTRUCTION

Inner light strip housing, cover and ends are die formed of 22 gauge cold rolled steel. Outer vaportite enclosure is formed of fiberglass reinforced polyester, with a seamless poured gasket around the entire perimeter. Threaded mounting studs are molded into the back of the enclosure for stem, chain, or direct mounting. Plugged wiring holes are provided at each end of the enclosure for conduit connection, and can be wired individually or in continuous runs.

## FINISH

Steel strip housing interior and exterior are finished in lighting grade white baked gloss enamel paint. Fiberglass enclosure is molded in pearl gray.

## DIFFUSER

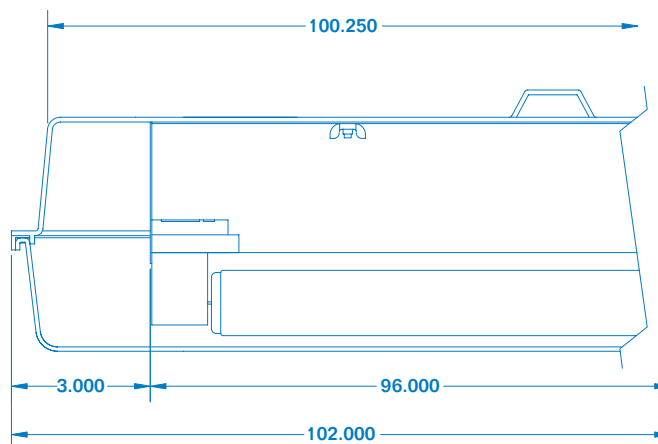
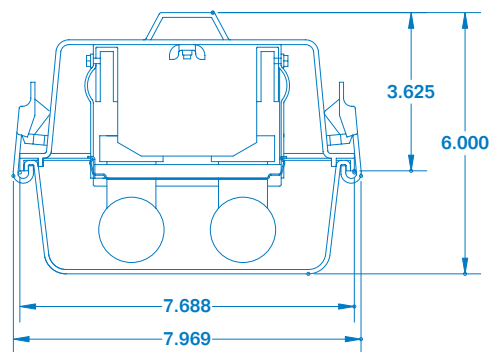
The one-piece lens is vacuum formed of 100% virgin clear acrylic, with a matte stipple finish on the inside surface to control lamp brightness. Thickness is .100". Lens is held in place by plastic CAM latches that snap into molded pockets around the perimeter of the fiberglass enclosure and pull the diffuser tightly against the gasket seal.

## ELECTRICAL

All "(HO) high output" units are wired with U.L. listed high power factor, rapid start, Class P ballasts for 120 volt, 60 hertz A.C. operation. These ballasts are sound rated C and are for use with T12 double recessed contact obround pin, nominal 800M.A. high output lamps only. Minimum starting temperatures for ES lamps is 60°F, standard lamps are -20°F. All "(CW) cold weather" units have the same minimum starting temperature as standard ballasts, but they operate the lamp with higher light output. All units must use 2½" ceiling spacer when operating in high ambient temperatures. Lampholders are compression lock, double recessed contact type. All fixtures are U.L. listed for damp location.

## OPTIONS

Fittings for wet location listing are available by adding WET to model number (contact factory). Clear polycarbonate or white acrylic diffusers are available (contact factory). CAM latches in stainless steel or tamperproof plastic are available (contact factory). For ballast upgrades and options, refer to back of guide. Other voltages, listings, and ratings available on request (contact factory). Note: 277 volt unit starting temperature may vary (contact factory).



VTP-HO Series

## ORDERING INFORMATION

Model No.	Fluorescent Lamps	DIMENSIONS			
		L	W	D	Mtg. Ill.
VTP248HO	(2) T12 48" HO	52½"	7¾"	6"	39
VTP296HOES	(2) T12 96" HO 60°	102"	7¾"	6"	42
VTP296HOCW	(2) T12 96" HO -20°	102"	7¾"	6"	42