

DESCRIPTION

This pendant style hanging reflector light includes an eight foot heavy duty cord so you can determine how far you want it to hang. It's suitable for barns, garages, sheds, workshops, livestock buildings and more. It features a deeper style reflector with a 14" diameter and a durable silver finish with reflective white interior. It's designed for ceiling installation only and uses an incandescent lamp up to 300 watts maximum.

CONSTRUCTION

Housing and cover are die cast aluminum. Includes 8 Foot heavy duty electrical cord for hanging. Reflector is an aluminum spinning.

FINISH

Housing and cover are finished in bright polished aluminum. Reflector interior is finished in white baked gloss enamel paint. Exterior is finished in silver baked gloss enamel paint.

DIFFUSER

There is no diffuser on this fixture.

ELECTRICAL

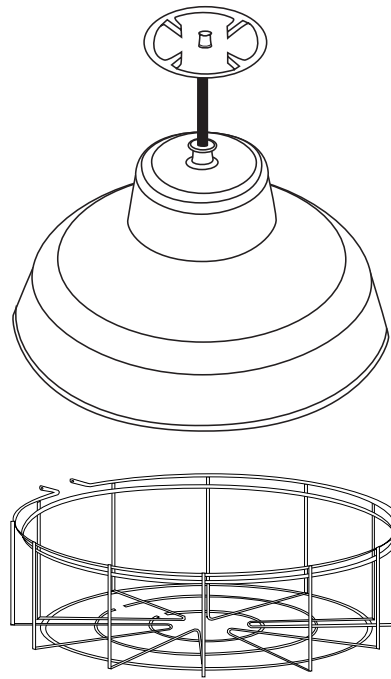
All "INCANDESCENT" fixtures are wired with U.L. listed medium base porcelain lampholders for 120 volt, 60 hertz A.C. operation. Maximum wattage is A19 lamps-100 watts max, A21 lamps-200 watts max, A23 lamps-250 watts max, BR40 lamps-150 watts max, R40 lamps-300 watts max, PAR38 lamps-250 watts max, PS25 lamps-300 watts max.

All units are for ceiling mounting only. Install fixture at least 4' above ground. 8' heavy duty SJT 18-3 black cord provided for power connection and hanging. Positive-grip watertight fittings provided for easily adjusted cord suspension. Power supply connections must be made inside a junction box (sold separately).

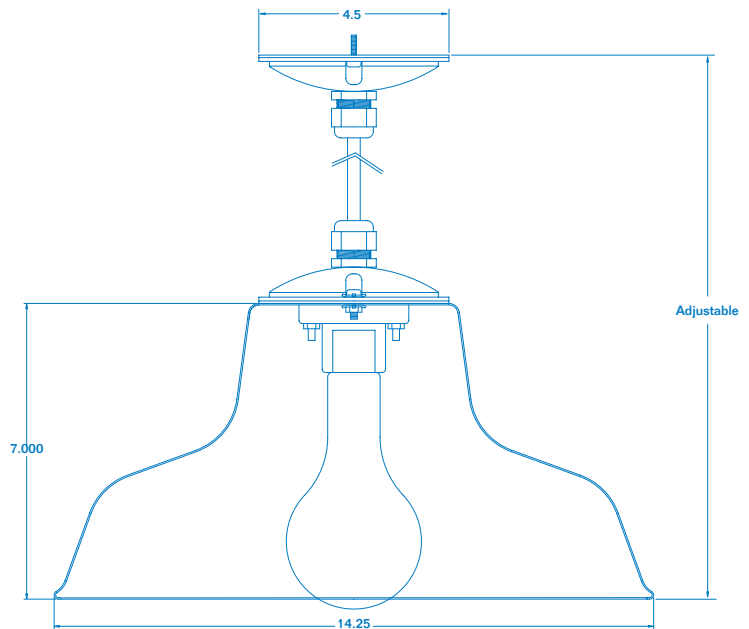
All fixtures are U.L. listed for damp locations.

OPTIONS

Reflector is also available in other custom color finishes (contact factory). YLRWG Wireguard accessory also available (contact factory).



YLRWG Wireguard Option



ORDERING INFORMATION

Model No.	Incandescent Lamps	DIMENSIONS	
		Diameter	Depth
YL107-4*	(1) 300 watts Maximum	14¼"	Adjustable

* Order in multiples of four.