

# YL110 SERIES

## DESCRIPTION

This yard light features a shallow 12" reflector with a durable silver finish and reflective white interior. It's suitable for barns, garages, sheds, workshops, livestock buildings and more. It comes with a 9½" galvanized steel pipe for side wall installations. The junction box cover doubles as a mounting bracket. Uses an incandescent bulb up to 150 watts maximum.

## CONSTRUCTION

Housing and cover are die cast aluminum. 9½" extension pipe is ¾" diameter galvanized steel. Reflector is an aluminum spinning.

## FINISH

Housing and cover are finished in bright polished aluminum. Reflector interior is finished in white baked gloss enamel paint. Exterior is finished in silver baked gloss enamel paint.

## DIFFUSER

There is no diffuser on this fixture.

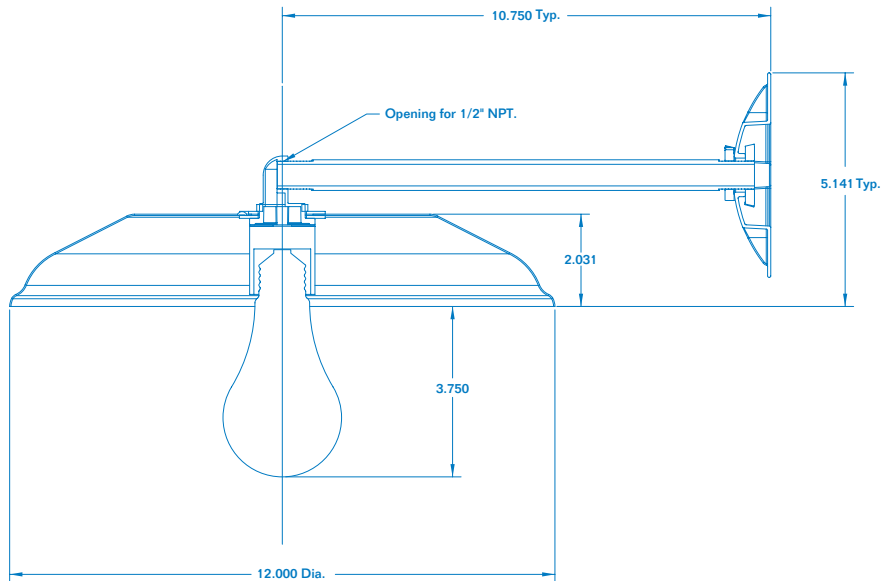
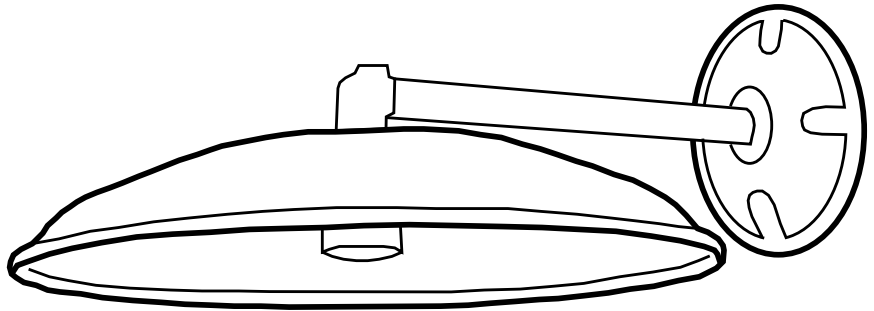
## ELECTRICAL

All "INCANDESCENT" fixtures are wired with U.L. listed medium base porcelain lampholders for 120 volt 60 hertz operation. Maximum wattage is A19 lamps-100 watts max, A21 lamps-200 watts max, A23 lamps-200 watts max, PAR30 lamps-75 watts max, BR30 lamps-75 watts max, BR40 lamps-150 watts max, PAR38 lamps-150 watts max. All wall-mounted units should be mounted base "UP", reflector aimed down for wet location listing. Install fixture at least 4' above ground. Power supply connections must be made inside a junction box (sold separately). Seal outlet box cover with silicon rubber.

All fixtures are U.L. listed for wet locations.

## OPTIONS

Reflector is also available in other custom color finishes (contact factory).



## ORDERING INFORMATION

| Model No. | Incandescent Lamps    | DIMENSIONS                       |     |                                   |
|-----------|-----------------------|----------------------------------|-----|-----------------------------------|
|           |                       | L                                | W   | D                                 |
| YL110-4*  | (1) 150 watts Maximum | 15 <sup>3</sup> / <sub>8</sub> " | 12" | 4 <sup>29</sup> / <sub>32</sub> " |

\* Order in multiples of four.